

FEB 06 1990

CONSEW[®]

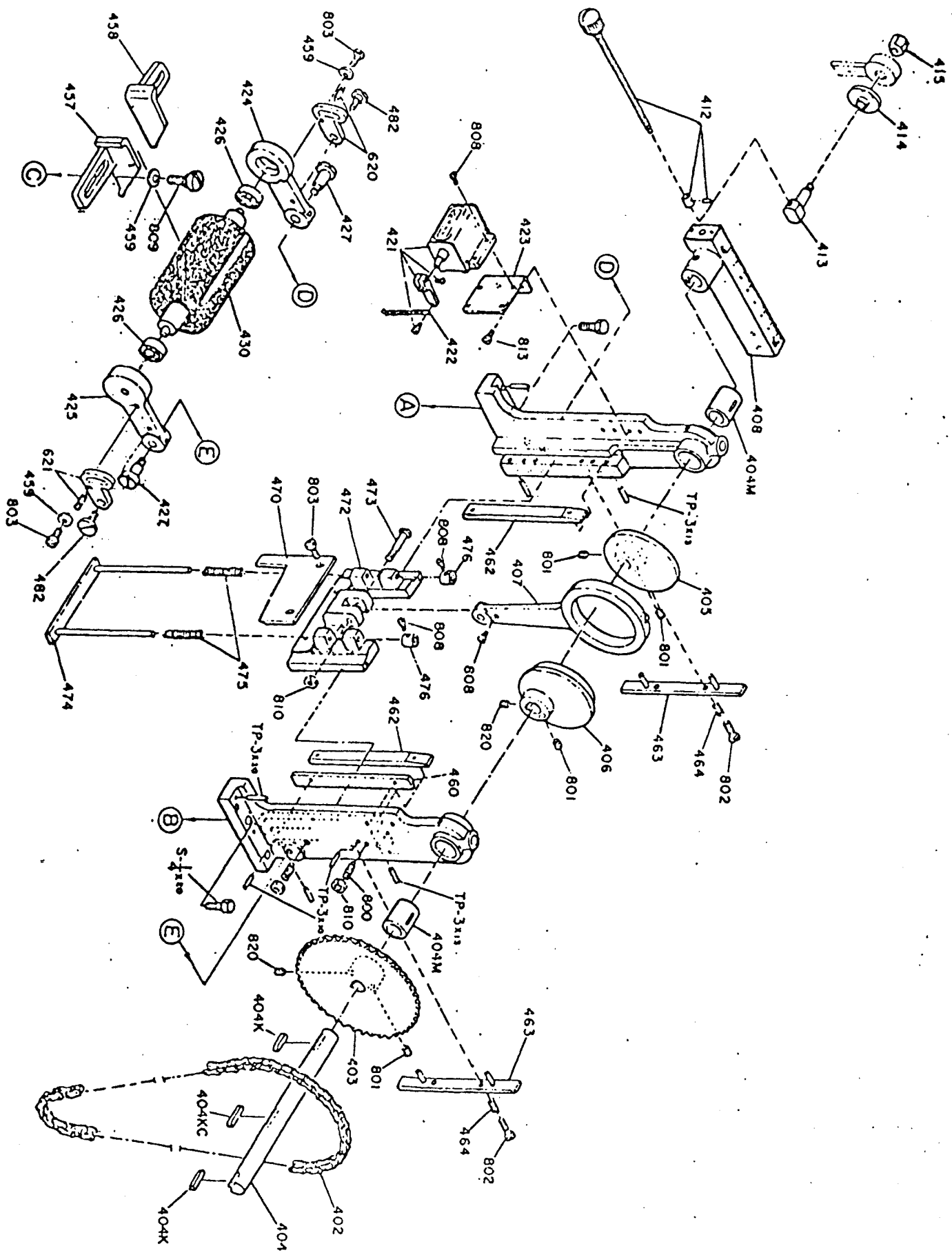
LIST OF PARTS

FOR

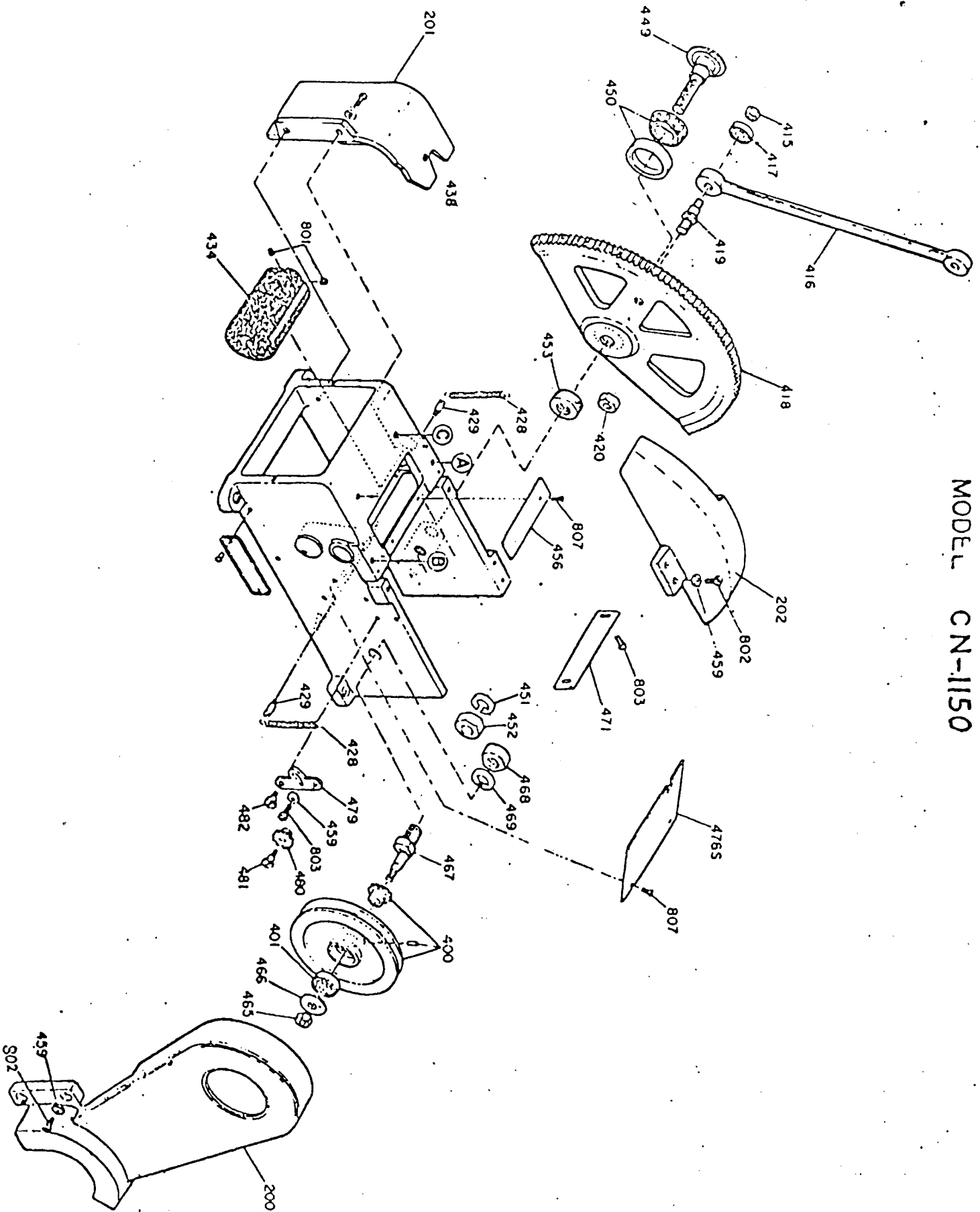
MODEL

CN-1150

MODEL UN-1150



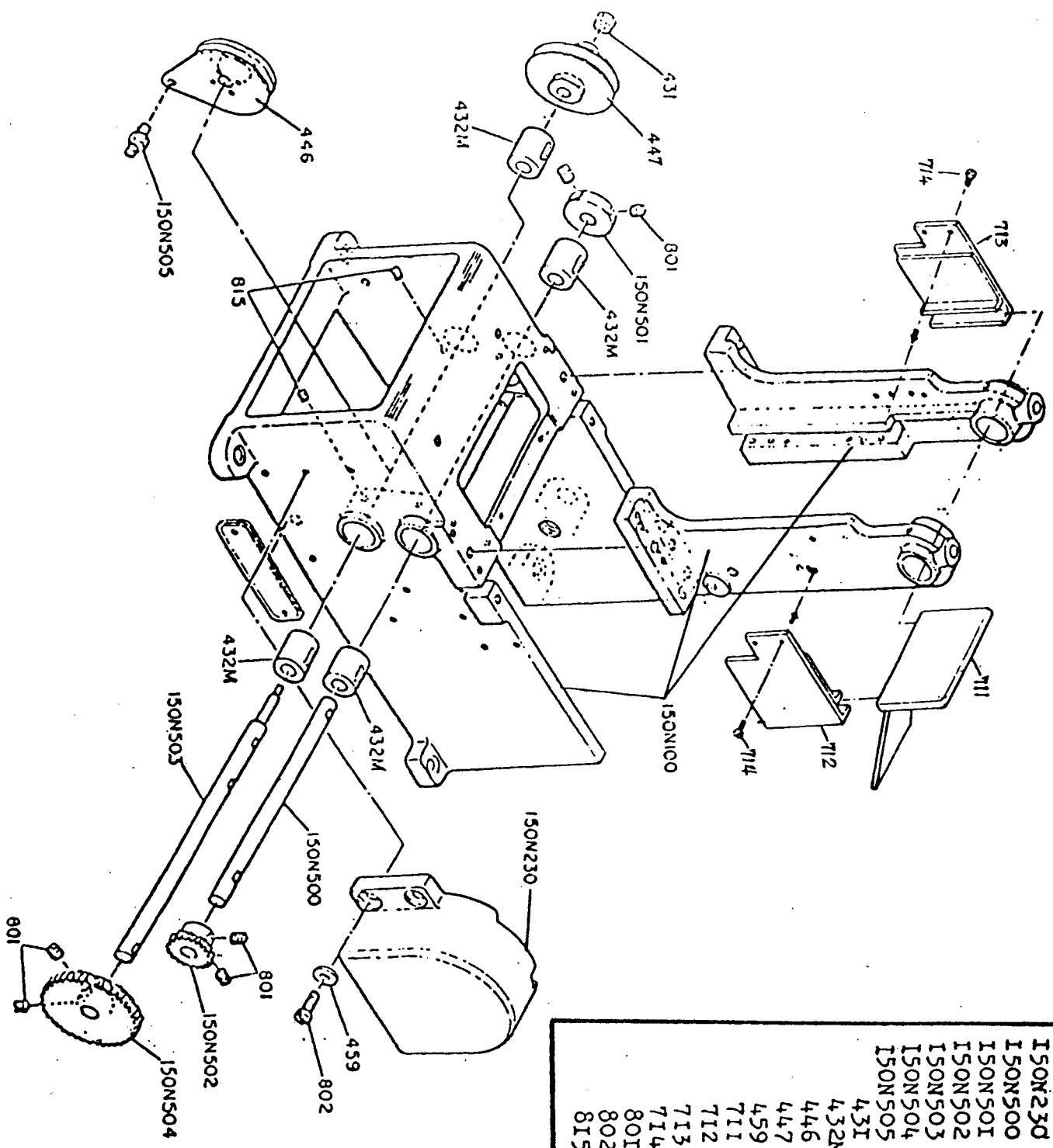
Part No.	Description	Part No.	Description
402	Chain	475	Strip material presser spring
403	Crank shaft chain gear	476	Strip material presser regulating collar
404	Crank shaft	482	Spring adjusting plate set screw
404K	Crank shaft key	620	Spring adjusting plate (left)
404KC	Crank shaft key (center)	621	Spring adjusting plate (right)
404M	Crank shaft bushing	800	Screw
405	Upper knife cam plate	801	Screw
406	Upper knife cam	802	Screw
407	Upper knife rod	803	Screw
408	Feed crank	807	Screw
412	Measuring screw	808	Screw
413	Feed rod moving axle	809	Screw
414	Feed rod position plate	810	nut
415	Feed rod nut (crank side)	813	Screw
421	Counter	820	Screw
422	Counter spring	TP-3X13	Taper pin
423	Counter base	TP-3X20	Taper pin
424	Upper roller arm (left)	TP-3X10	Taper pin
425	Upper roller arm (right)	S-1X20	Screw
426	Bearing for upper roller		
427	Upper roller arm set screw		
430	Upper roller		
457	Strip material guide (right)		
458	Strip material guide (left)		
459	Washer		
460	Upper knife base slide plate (side)		
462	Upper knife base slide plate (left)		
463	Upper knife pushing plate		
464	Upper knife pushing spring		
470	Upper knife		
472	Upper knife base		
473	Upper knife rod pin		
474	Strip material presser		



MODEL CN-1150

200	Chain cover
201	Feed gear cover
202	Large gear cover
400	Sprocket pulley
401	Bearing for sprocket pulley
415	Feed rod nut
416	Feed rod
417	Bearing for feed rod
418	Large gear
419	Feed rod fixing axle
420	Feed rod nut (large gear side)
428	Upper roller tention spring
429	Upper roller tention spring pin
434	Lower roller
449	Large gear axle
450	Taper bearing for large gear
451	Large gear axle washer
452	Large gear axle nut
453	Thrust bearing for large gear
456	Strip material presser base
459	Strip material guide fixing washer
465	Sprocket pulley set nut
466	Sprocket pulley bearing plate
467	Sprocket pulley eccentric axle
468	Sprocket pulley eccentric axle washer
469	Sprocket pulley eccentric axle set nut
471	Lower knife
478S	Shoot plate
479	Idle sprocket arm
480	Idle sprocket
481	Idle sprocket set screw
482	Idle sprocket arm set screw
801	Screw
802	Screw
803	Screw
807	screw

MODEL CN-1150



Part No.	Description
150N100	Base
150N230	Feed retaining drum cover
150N500	Lower roller shaft
150N501	Lower roller shaft fixing
150N502	Lower roller shaft gear
150N503	Feed gear shaft
150N504	Feed connecting gear
150N505	Feed retaining drum set sc
431	Lower roller shaft nut
432M	Lower roller shaft bushing
446	Feed retaining drum
447	One way clutch
459	Washer
711	Safety shield
712	Shield holder (left)
713	Shield holder (right)
714	Screw
801	Screw
802	Screw
815	Screw